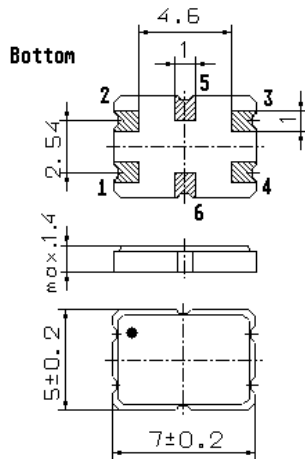


Specification for monolithic crystal filter:

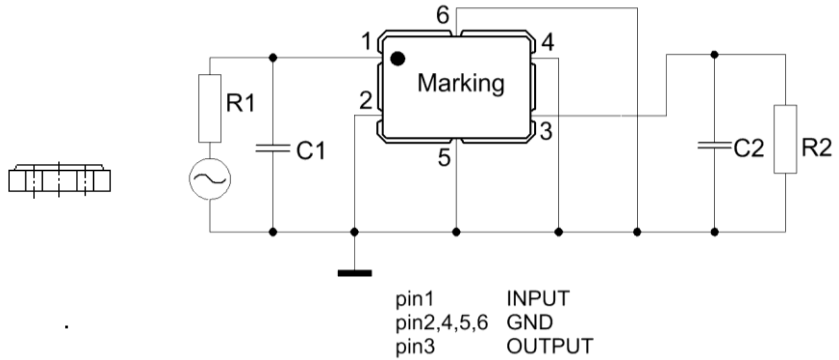
**MQF 73.35-1600/01**

## 1. General

### 1.1. Package:



**GS 2**



- |                                   |                   |
|-----------------------------------|-------------------|
| 1.2. Type name:                   | MQF 73.35-1600/01 |
| 1.3. Number of poles:             | 2                 |
| 1.4. Operating temperature range: | -40°C to +85°C    |
| 1.5. Storage temperature range:   | -45°C to +85°C    |

## 2. Electric values

- |   |                                     |
|---|-------------------------------------|
| 2.1. Nominal centre frequency $f_0$ :                                       | 73.35 MHz                           |
| 2.2. <b>Pass band</b>   |                                     |
| 2.2.1. Bandwidth between 3 dB - frequencies:                                | > ± 8.0 kHz                         |
| 2.2.2. Ripple:  | < 1.0 dB at $f_0 \pm 5.0$ kHz       |
| 2.2.3. Insertion loss:<br>( measured on smallest attenuation in pass band ) | < 5.0 dB                            |
| 2.3. <b>Stop band</b>   |                                     |
| 2.3.1. $f_0 \pm 30$ kHz   | > 15 dB                             |
| 2.3.2. Alternate attenuation  | > 45 dB (except spurious)           |
| 2.4. Terminating impedance ( input and output ):                            | 2500 $\Omega$ // -0.8 pF            |
| 2.5. Input power level for reference measurement:                           | -10 dBm                             |
| 2.5.1. Maximum input power level without destruction:                       | 0 dBm                               |
| 3. Marking:   | M7335A1<br>yyww                     |
| 4. Environment conditions:  | according to Vectron standard CF001 |